

ABS submersible drainage pump J 12

Specification

Electric submersible pump.
 Maximum submergence: 20 m (65 ft). • Protection class IP 68.
 Max temperature of pumped medium at max power input and continuous duty 40°C (104°F).
 Max medium density 1100 kg/m³ (0.0397 Lbs/inch³)
 pH of the pumped medium 5-8.
 Strainer hole 6.5 x 22 mm. • Max number of starts 30/hour.

J 12 W/WKS* Medium head, single-phase

J 12 D/DKS* Medium head, 3-phase

*option: built in float switch excl. 575V

Electric motor

single-phase induction motor with built in capacitor, 60 Hz.
 Service factor 1.1. Class F insulation.
 Motor rating P₂: 1.13 kW (1.5 Hp). Speed: 3310 rpm

Voltage, V	115	230
Nominal current, A	13	6.5

3-phase squirrel-cage induction motor, 60 Hz
 Service factor 1.1. Class F insulation.
 Motor rating P₂: 1.1 kW (1.5 Hp). Speed: 3400 rpm
 D.O.L. start with built-in contactor.

Voltage, V	230	380	460	575
Nominal current, A	4.4	2.7	2.2	1.8

Power Cable

20 m/65 ft S1BN8-F:
 3x1.5 sq.mm (single-phase)
 4x1.5 sq.mm (3-phase)

Motor Protection

Built-in thermal switches in the stator windings (140°C/284°F, ±5).

Shaft Seal

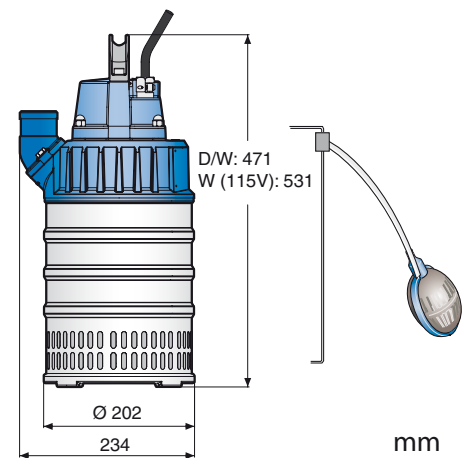
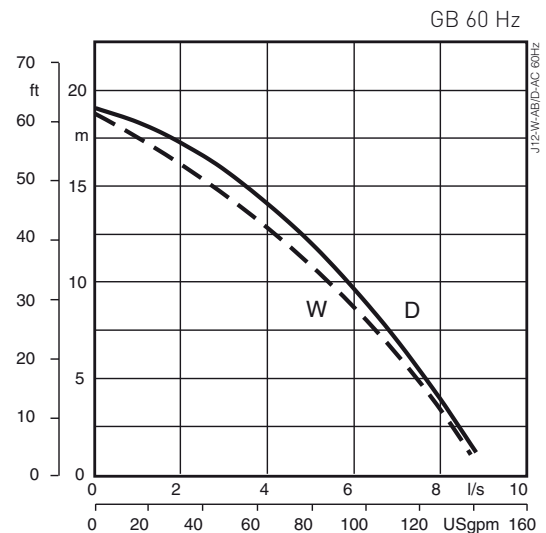
Double mechanical seal in oil bath.
 Primary: Silicon carbide on silicon carbide
 Secondary: Silicon carbide on silicon carbide

Bearings

Upper bearing: Single-row deep groove ball bearing.
 Lower bearing: Single-row deep groove ball bearing.

Discharge Connections

1 1/2", 2" (standard), 2 1/2", 3" hose connections.
 2", 2 1/2", 3" B.S.P. thread.
 2", 3" NPT thread.



Weight (without cable)

16 kg/35 lbs

Options and Accessories

Zinc anodes • Surface protection coating • Bottom suction adapter
 Series connection • Starter and control units • Floatation ring
 Carry case • Repair kit
 Discharge connection accessories and hose

Materials		EN	ASTM
Castings	Aluminium	EN 1706: AC-43100	ASTM AISi10mg
Casing and fasteners	Stainless steel	10088:X5CrNi18-10 [1.4301]	AISI 304
Shaft	Stainless steel	10088:X20Cr13 [1.4021]	AISI 420
Impeller	White cast iron	EN-GJN-HV600(XCr23)	ASTM A 532: Alloy III A
Wear parts / O-rings	Nitrile rubber		