

ABS submersible drainage pump J 604

Specification

Electric submersible pump.
 Maximum submergence: 20 m (65 ft). • Protection class IP 68.
 Max temperature of pumped medium at max power input and continuous duty 40°C (104°F).
 Max medium density 1100 kg/m³ (0.0397 Lbs/inch³)
 pH of the pumped medium 5-8.
 Strainer hole 12 x 60 mm. • Max number of starts 30/hour.

J 604 ND Medium head, 3-phase.

J 604 HD High head, 3-phase.

Electric Motor

3-phase 4-pole squirrel-case induction motor, 60Hz
 Service factor 1.1. Class F insulation.
 Motor rating P₂: 70.0 kW (94 Hp). Speed: 1732 rpm

Voltage, V	230	380	460	575
Nominal current, A	226	137	113	91

Starting method

D.O.L. start with built-in terminal block.
 Star-Delta start with built-in terminal block.
 When used with VFD, pump must be equipped with terminal block.

Power Cable

20 m/65 ft S1BN8-F (standard cable):
 2-4x35 sq.mm. + 7x1.5 sq.mm. (230V)
 2-4x25 sq.mm. + 7x1.5 sq.mm. (380V star-delta start)
 2-4x16 sq.mm. + 7x1.5 sq.mm. (460-575V star-delta start)
 1-4x35 sq.mm. + 7x1.5 sq.mm. (460-575V D.O.L.-start)

20m/65 ft NSSHÖU.../3E (heavy duty cable):
 3x25+3x16/3E+3x2.5 (3 control cables included) (460-575V D.O.L.)

Motor Protection

Built-in thermal switches in the stator windings (140°C/284°F, ±5).
 DI leakage sensor in the junction box, DI leakage sensor in the oil chamber, thermal sensors at upper (120°C/248°F) and lower (90°C/194°F) bearing connected to a separate starter and control unit.

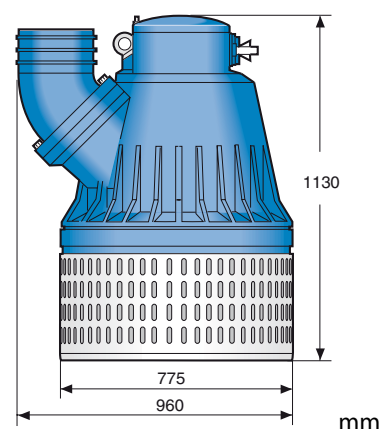
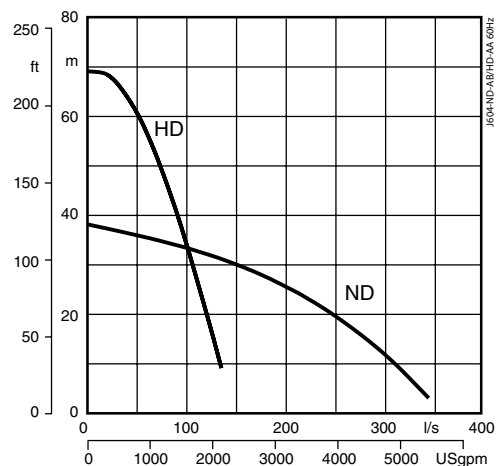
Shaft Seal

Double mechanical seal in oil bath.
 Primary seal: Silicon carbide on silicon carbide.
 Secondary seal: Carbon on stainless steel.

Bearings

Upper bearing: Single-row deep groove ball bearing.
 Lower bearing: Double angular contact ball bearing.

GB 60 Hz



Discharge Connections

6" (standard HD), 8", 10" (standard ND) hose connections.
 6", 8" G/B.S.P. thread.
 6", 8", 10" NPT thread

Weight (without cable)

525 kg/1157 lbs

Options and Accessories

Zinc anodes • Surface protection coating
 Wear plate in polyurethane • Series connection (HD)
 Starter and control units • Automatic level control unit
 Floatation system • Repair kit
 Discharge connection accessories and hose

Materials		EN	ASTM
Casing and castings	Aluminium	EN 1706: AC-43100	ASTM A1Si10mg
Strainer and fasteners	Stainless steel	10088:X5CrNi18-10 (1.4301)	AISI 304
Shaft	Stainless steel	10088:X20Cr13 (1.4021)	AISI 420
Impeller	Hardened chrome steel	10088:X30Cr13 (1.4028)	AISI 420
Wear parts / O-rings	Nitrile rubber		