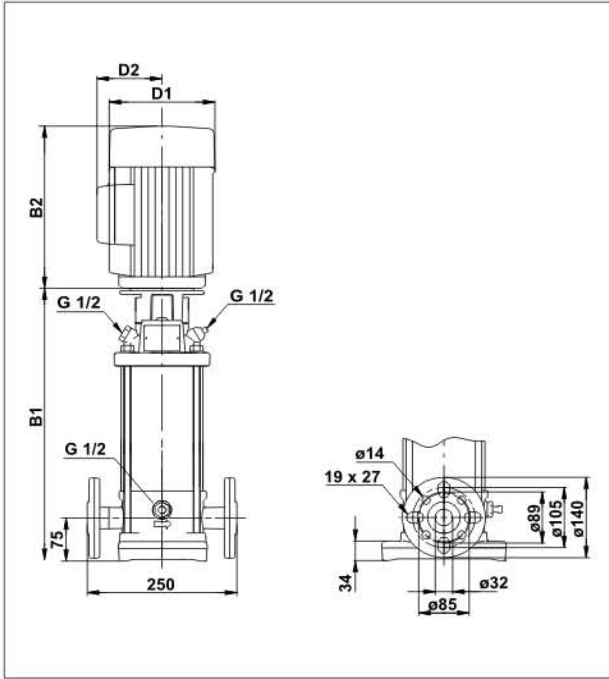


### Dimensional, Sketch & Performance



### Dimensions and weights

Model	Size in Inch				Weight (lbs)
	B1	B1+B2	D1	D2	
SRN 1-2	12 1/8	19 3/4	5 5/8	4 5/8	55
SRN 1-3	12 1/8	19 3/4	5 5/8	4 5/8	55
SRN 1-4	12 7/8	20 1/2	5 5/8	4 5/8	54
SRN 1-5	13 5/8	21 1/4	5 5/8	4 5/8	55
SRN 1-6	14 1/4	21 7/8	5 5/8	4 5/8	56
SRN 1-7	15	22 5/8	5 5/8	4 5/8	58
SRN 1-8	15 3/4	24 5/8	5 5/8	4 5/8	58
SRN 1-9	16 3/8	25 1/4	5 5/8	4 5/8	59
SRN 1-10	17 1/8	26	5 5/8	4 5/8	60
SRN 1-11	17 7/8	26 3/4	5 5/8	4 5/8	68
SRN 1-12	18 1/2	27 3/8	5 5/8	4 5/8	69
SRN 1-13	19 1/4	28 1/8	5 5/8	4 5/8	69
SRN 1-15	20 5/8	32 1/8	7 1/8	4 3/8	84
SRN 1-17	22 1/8	33 5/8	7 1/8	4 3/8	85
SRN 1-19	23 1/2	35	7 1/8	4 3/8	86
SRN 1-21	26	37 3/4	7 1/8	4 3/8	89
SRN 1-23	27 3/8	39 1/8	7 1/8	4 3/8	92
SRN 1-25	28 3/4	40 1/2	7 1/8	4 3/8	94
SRN 1-27	30 1/4	42	7 1/8	4 3/8	96

### Performance table

Model	KW	HP	Amp.	m <sup>3</sup> /h US GPM	0	0.8	1	1.2	1.4	1.6	1.8	2
					0	3	4	5	6	7	8	9
SRN 1-2	0.24	1/3	0.55	Head (Mtr.)	18	17	17	17	17	16	15	14
SRN 1-3	0.24	1/3	0.55		27	26	26	25	25	24	23	22
SRN 1-4	0.37	1/2	0.78		36	35	34	34	33	32	31	29
SRN 1-5	0.37	1/2	0.78		45	44	43	42	41	40	38	36
SRN 1-6	0.55	3/4	1.2		53	52	52	51	50	48	46	43
SRN 1-7	0.55	3/4	1.2		62	61	60	59	58	56	54	51
SRN 1-8	0.75	1	1.7		71	70	69	68	66	64	61	58
SRN 1-9	0.75	1	1.7		80	79	78	76	75	72	69	65
SRN 1-10	0.75	1	1.7		89	87	86	85	83	80	77	72
SRN 1-11	1.1	1 1/2	2.3		98	96	95	93	91	88	84	80
SRN 1-12	1.1	1 1/2	2.3		107	105	103	102	99	96	92	87
SRN 1-13	1.1	1 1/2	2.3		116	113	112	110	108	104	100	94
SRN 1-15	1.5	2	2.7		134	131	129	127	124	120	115	109
SRN 1-17	1.5	2	2.7		151	148	147	144	141	136	130	123
SRN 1-19	1.5	2	2.7		169	166	164	161	157	152	146	138
SRN 1-21	2.2	3	4.25		187	183	181	178	174	168	161	152
SRN 1-23	2.2	3	4.25		205	201	198	195	190	184	176	167
SRN 1-25	2.2	3	4.25		223	218	216	212	207	201	192	181
SRN 1-27	2.2	3	4.25	241	236	233	229	224	217	207	195	

- This performance Table is approximate as a preformation curve.
- Technical change without notice.