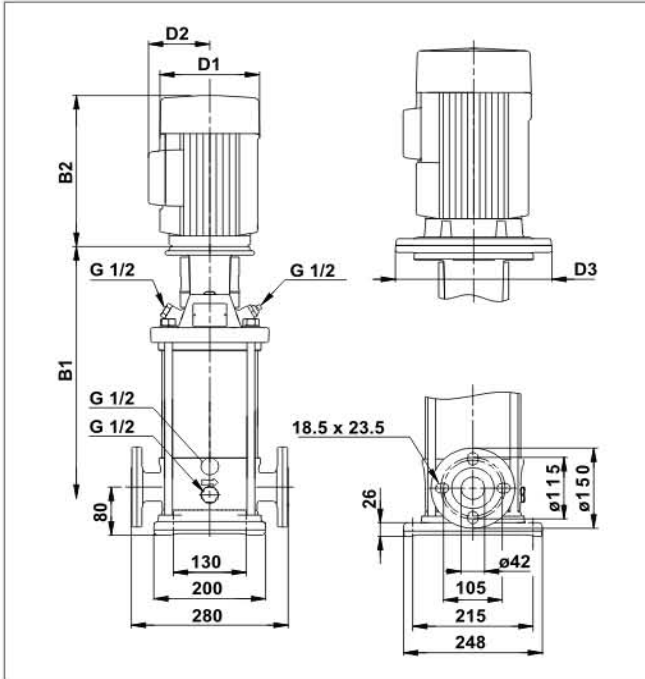


Dimensional, Sketch & Performance



Dimensions and weights

| Model | Size in Inch | | | | Weight (lbs) |
|-----------|--------------|--------|--------|--------|--------------|
| | B1 | B1+B2 | D1 | D2 | |
| SRN 10-1 | 15 1/4 | 24 1/8 | 5 5/8 | 4 5/8 | 85 |
| SRN 10-2 | 15 1/4 | 24 1/8 | 5 5/8 | 4 5/8 | 100 |
| SRN 10-3 | 17 1/8 | 28 7/8 | 7 1/8 | 4 3/8 | 137 |
| SRN 10-4 | 18 3/8 | 30 1/8 | 7 1/8 | 4 3/8 | 137 |
| SRN 10-5 | 19 1/2 | 32 3/4 | 7 1/8 | 4 3/8 | 146 |
| SRN 10-6 | 20 3/4 | 34 | 7 1/8 | 4 3/8 | 148 |
| SRN 10-7 | 21 7/8 | 35 1/8 | 7 1/8 | 4 3/8 | 150 |
| SRN 10-8 | 23 3/8 | 39 | 8 3/4 | 5 3/8 | 210 |
| SRN 10-9 | 24 1/2 | 40 1/8 | 8 3/4 | 5 3/8 | 212 |
| SRN 10-10 | 25 3/4 | 41 3/8 | 8 3/4 | 5 3/8 | 214 |
| SRN 10-12 | 28 1/8 | 43 3/4 | 8 3/4 | 5 3/8 | 202 |
| SRN 10-14 | 30 1/2 | 46 1/8 | 8 3/4 | 5 3/8 | 207 |
| SRN 10-16 | 35 3/8 | 52 | 10 3/8 | 8 3/4 | 352 |
| SRN 10-17 | 37 3/4 | 54 3/8 | 16 5/8 | 10 3/8 | 359 |

Performance table

| Model | KW | HP | Amp. | m ³ /h US GPM | 0 | 6 | 7 | 8 | 9 | 10 | 11 | 12 |
|-----------|-------|-------|-------|-----------------------------|-----|-----|-----|-----|-----|-----|-----|-----|
| | | | | | 0 | 26 | 31 | 35 | 40 | 44 | 48 | 53 |
| SRN 10-1 | 0.55 | 1/4 | 1.2 | Head (Mtr.) | 15 | 15 | 15 | 14 | 14 | 14 | 13 | 12 |
| SRN 10-2 | 1.1 | 1 1/2 | 2.3 | | 30 | 30 | 29 | 29 | 28 | 27 | 25 | 24 |
| SRN 10-3 | 2 1/5 | 3 | 4 1/4 | | 44 | 45 | 44 | 43 | 42 | 41 | 38 | 36 |
| SRN 10-4 | 2.2 | 3 | 4.25 | | 59 | 60 | 59 | 58 | 56 | 54 | 51 | 48 |
| SRN 10-5 | 3.7 | 5 | 7 | | 74 | 75 | 74 | 72 | 70 | 68 | 64 | 61 |
| SRN 10-6 | 3.7 | 5 | 7 | | 89 | 89 | 88 | 86 | 84 | 81 | 76 | 73 |
| SRN 10-7 | 3.7 | 5 | 7 | | 104 | 104 | 103 | 101 | 98 | 95 | 89 | 85 |
| SRN 10-8 | 5.5 | 7 1/2 | 10.8 | | 118 | 119 | 118 | 115 | 112 | 108 | 102 | 97 |
| SRN 10-9 | 5.5 | 7 1/2 | 10.8 | | 133 | 134 | 132 | 130 | 126 | 122 | 114 | 109 |
| SRN 10-10 | 5.5 | 7 1/2 | 10.8 | | 148 | 149 | 147 | 144 | 140 | 135 | 127 | 121 |
| SRN 10-12 | 7.5 | 10 | 14.4 | | 178 | 179 | 176 | 173 | 168 | 162 | 152 | 145 |
| SRN 10-14 | 7.5 | 10 | 14.4 | | 207 | 209 | 206 | 202 | 196 | 189 | 178 | 169 |
| SRN 10-16 | 11 | 15 | 17 | | 237 | 238 | 235 | 230 | 224 | 216 | 203 | 194 |
| SRN 10-17 | 11 | 15 | 17 | | 252 | 253 | 250 | 245 | 238 | 230 | 216 | 206 |

- This performance Table is approximate as a preformation curve.
- Technical change without notice.