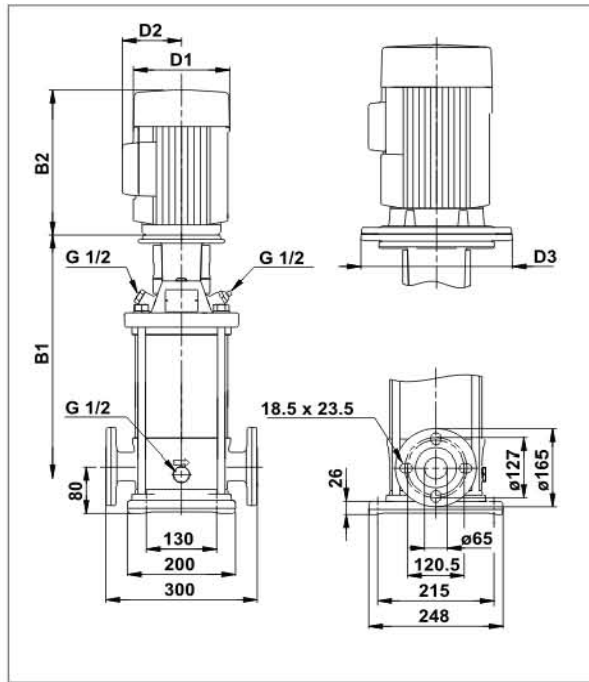


**Dimensional, Sketch & Performance**



**Dimensions and weights**

Model	Size in Inch				Weight (lbs)
	B1	B1+B2	D1	D2	
SRN 15-1	16 3/8	27 7/8	7 1/8	4 3/8	119
SRN 15-2	17 1/8	30 3/8	7 1/8	4 3/8	141
SRN 15-3	18 7/8	32 1/8	7 1/8	4 3/8	144
SRN 15-4	21	36 5/8	8 3/4	5 3/8	201
SRN 15-5	22 3/4	38 3/8	8 3/4	5 3/8	187
SRN 15-6	24 1/2	40 1/8	8 3/4	5 3/8	191
SRN 15-7	28 7/8	45 1/2	10 3/8	8 3/4	251
SRN 15-8	30 5/8	47 1/4	10 3/8	8 3/4	253
SRN 15-9	32 3/8	49	10 3/8	8 3/4	345
SRN 15-10	34 1/8	50 1/2	10 3/8	8 3/4	400
SRN 15-12	37 1/8	56 7/8	13	9 1/2	387

**Performance table**

Model	KW	HP	Amp.	m <sup>3</sup> /h US GPM	0	10	12	14	16	18	20	22
					0	44	53	62	70	79	88	97
SRN 15-1	1.5	2	2.7	Head (Mtr.)	20	20	19	19	18	17	17	16
SRN 15-2	3.7	5	7		41	39	39	38	36	35	33	31
SRN 15-3	3 5/7	5	7		61	59	58	56	55	52	50	47
SRN 15-4	5.5	7 1/2	10.8		81	78	77	75	73	70	66	62
SRN 15-5	7.5	10	14.4		102	98	97	94	91	87	83	78
SRN 15-6	7.5	10	14.4		122	118	116	113	109	104	99	94
SRN 15-7	11	15	17		142	137	135	132	127	122	116	109
SRN 15-8	11	15	17		162	157	154	150	146	139	132	125
SRN 15-9	11	15	17		183	176	174	169	164	157	149	140
SRN 15-10	15	20	23		203	196	193	188	182	174	165	156
SRN 15-12	18.5	25	28.5		244	235	232	226	218	209	198	187

- This performance Table is approximate as a preformation curve.
- Technical change without notice.