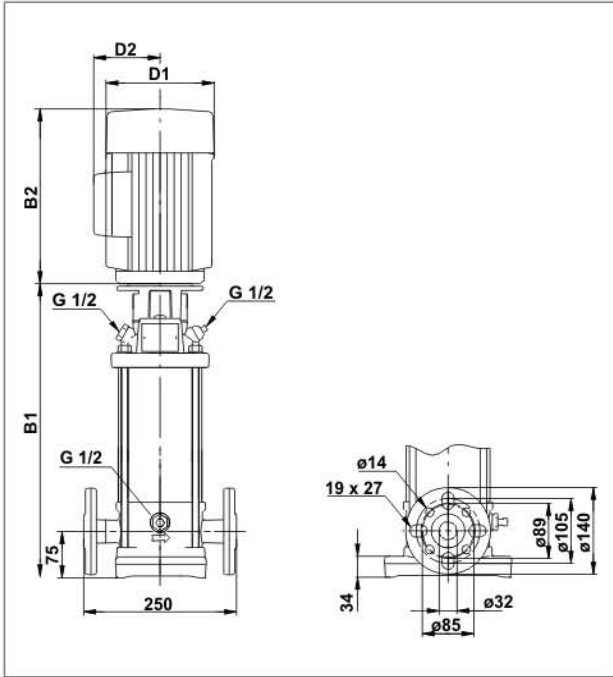


Technical Data

SRN 1s

Dimensional, Sketch & Performance



Dimensions and weights

Model	Size in Inch				Weight (lbs)
	B1	B1+B2	D1	D2	
SRN 1S-2	12 1/8	19 3/4	5 5/8	4 5/8	55
SRN 1S-3	12 1/8	19 3/4	5 5/8	4 5/8	55
SRN 1S-4	12 1/8	20 1/2	5 5/8	4 5/8	55
SRN 1S-5	13 5/8	21 1/4	5 5/8	4 5/8	56
SRN 1S-6	14 1/4	21 7/8	5 5/8	4 5/8	56
SRN 1S-7	15	22 5/8	5 5/8	4 5/8	57
SRN 1S-8	15 3/4	23 3/8	5 5/8	4 5/8	59
SRN 1S-9	16 3/8	24	5 5/8	4 5/8	61
SRN 1S-10	17 1/8	24 3/4	5 5/8	4 5/8	64
SRN 1S-11	17 1/8	25 1/2	5 5/8	4 5/8	65
SRN 1S-12	18 1/2	26 1/8	5 5/8	4 5/8	66
SRN 1S-13	19 1/4	28 1/8	5 5/8	4 5/8	67
SRN 1S-15	20 5/8	29 1/2	5 5/8	4 5/8	68
SRN 1S-17	22 1/8	31	5 5/8	4 5/8	70
SRN 1S-19	23 1/2	32 3/8	5 5/8	4 5/8	72
SRN 1S-21	24 7/8	33 3/4	5 5/8	4 5/8	74
SRN 1S-23	26 3/8	35 1/4	5 5/8	4 5/8	76
SRN 1S-25	27 3/4	49 1/4	7 1/8	4 3/8	92
SRN 1S-27	29 1/8	40 5/8	7 1/8	4 3/8	95

Performance table

Model	KW	HP	Amp.	m ³ /h		0	0.4	0.5	0.6	0.7	0.8	0.9	1
				US GPM	Head (Mtr.)								
SRN 1S-2	0.24	1/3	0.55	17	16	16	15	14	13	14	12		
SRN 1S-3	0.24	1/3	0.55	25	24	23	23	22	21	21	18		
SRN 1S-4	0.24	1/3	0.55	34	32	31	30	29	27	27	24		
SRN 1S-5	0.24	1/3	0.55	42	40	39	38	36	34	34	30		
SRN 1S-6	0.37	1/2	0.78	50	48	47	45	43	41	41	36		
SRN 1S-7	0.37	1/2	0.78	59	56	55	53	50	48	48	42		
SRN 1S-8	0.37	1/2	0.78	67	64	62	60	58	55	55	48		
SRN 1S-9	0.55	3/4	1.2	76	72	70	68	65	62	62	54		
SRN 1S-10	0.55	3/4	1.2	84	80	78	75	72	69	69	60		
SRN 1S-11	0.55	3/4	1.2	92	89	86	83	79	75	75	66		
SRN 1S-12	0.55	3/4	1.2	101	97	94	90	86	82	82	72		
SRN 1S-13	0.75	1.0	1.7	109	105	102	98	94	89	89	78		
SRN 1S-15	0.75	1.0	1.7	126	121	117	113	108	103	103	90		
SRN 1S-17	1.1	1 1/2	2.3	143	137	133	128	122	116	116	102		
SRN 1S-19	1.1	1 1/2	2.3	160	153	148	143	137	130	130	114		
SRN 1S-21	1.1	1 1/2	2.3	176	169	164	158	151	144	144	126		
SRN 1S-23	1.1	1 1/2	2.3	193	185	180	173	166	158	158	138		
SRN 1S-25	1.5	2.0	2.7	210	201	195	189	180	171	171	151		
SRN 1S-27	1.5	2.0	2.7	227	217	211	204	194	185	185	163		

- This performance Table is approximate as a preformation curve.
- Technical change without notice.