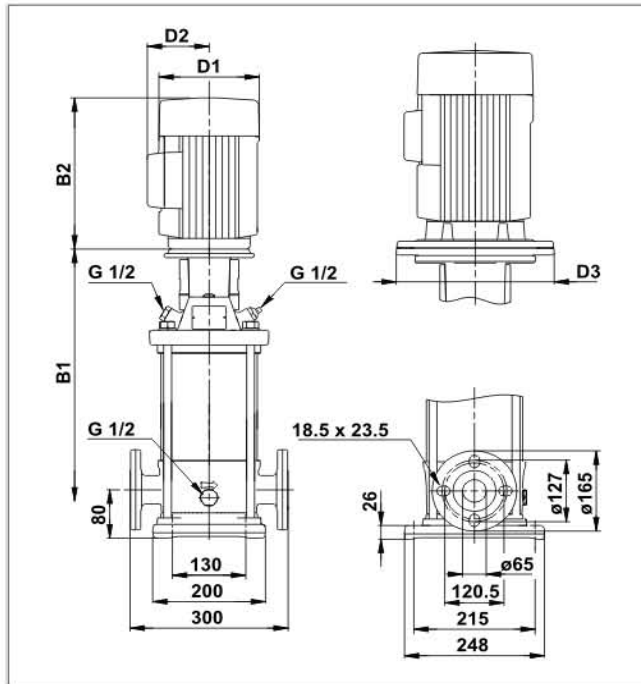


Technical Data

SRN 20

Dimensional, Sketch & Performance



Dimensions and weights

Model	Size in Inch				Weight (lbs)
	B1	B1+B2	D1	D2	
SRN 20-1	17 1/8	28 5/8	7 1/8	4 3/8	134
SRN 20-2	17 1/8	30 3/8	7 1/8	4 3/8	141
SRN 20-3	19 1/4	34 7/8	8 3/4	5 3/8	199
SRN 20-4	21	36 5/8	8 3/4	5 3/8	183
SRN 20-5	25 3/8	42	10 3/8	8 3/4	244
SRN 20-6	27 1/8	43 3/4	10 3/8	8 3/4	246
SRN 20-7	28 7/8	45 1/4	10 3/8	8 3/4	387
SRN 20-8	30 5/8	47	10 3/8	8 3/4	392
SRN 20-10	33 1/2	53 1/4	13	9 1/2	381

Performance table

Model	KW	HP	Amp.	m ³ /h US GPM	0	14	16	18	20	22	24	26
					0	62	70	79	88	97	106	114
SRN 20-1	2.2	3	4.25	Head (Mtr.)	21	21	20	20	19	19	18	17
SRN 20-2	3.7	5	7		43	41	40	40	39	37	36	34
SRN 20-3	5 1/2	7 1/2	10 4/5		64	62	61	59	58	56	53	51
SRN 20-4	7.5	10	14.4		86	82	81	79	77	74	71	68
SRN 20-5	11	15	17		107	103	101	99	97	93	89	85
SRN 20-6	11	15	17		128	123	121	119	116	111	107	101
SRN 20-7	15	20	23		150	144	141	139	135	130	125	118
SRN 20-8	15	20	23		171	164	162	158	154	148	142	135
SRN 20-10	18.5	25	28.5		214	205	202	198	193	185	178	169

- This performance Table is approximate as a preformation curve.
- Technical change without notice.