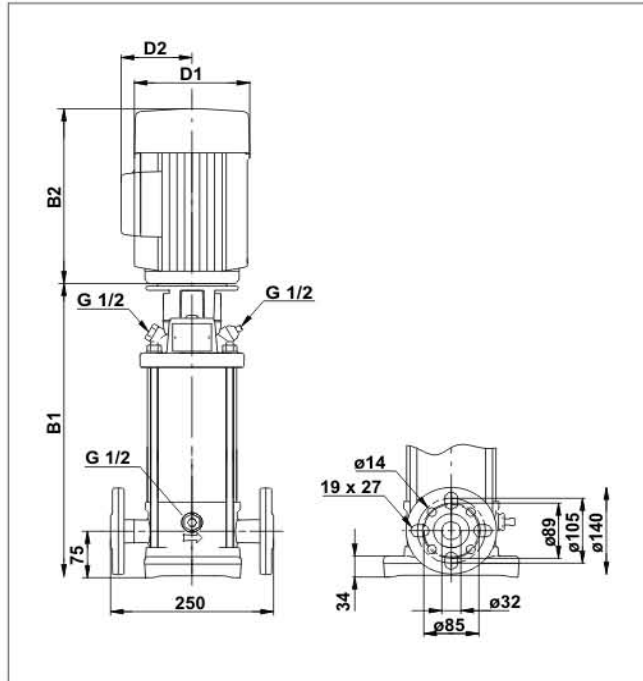


Dimensional, Sketch & Performance



Dimensions and weights

Model	Size in Inch				Weight (lbs)
	B1	B1+B2	D1	D2	
SRN 3-2	12 1/8	19 3/4	5 5/8	4 5/8	55
SRN 3-3	12 1/8	19 3/4	5 5/8	4 5/8	55
SRN 3-4	12 7/8	20 1/2	5 5/8	4 5/8	55
SRN 3-5	13 5/8	21 1/4	5 5/8	4 5/8	56
SRN 3-6	14 1/4	23 1/8	5 5/8	4 5/8	56
SRN 3-7	15	23 7/8	5 5/8	4 5/8	59
SRN 3-8	15 3/4	24 5/8	5 5/8	4 5/8	60
SRN 3-9	16 3/8	25 1/4	5 5/8	4 5/8	61
SRN 3-10	17 1/8	28 5/8	7 1/8	4 3/8	80
SRN 3-11	17 7/8	29 3/8	7 1/8	4 3/8	81
SRN 3-12	18 1/2	30	7 1/8	4 3/8	82
SRN 3-13	20 1/4	32	7 1/8	4 3/8	83
SRN 3-15	21 3/4	33 1/2	7 1/8	4 3/8	84
SRN 3-17	23 1/8	34 7/8	7 1/8	4 3/8	86
SRN 3-19	24 1/2	36 1/4	7 1/8	4 3/8	87
SRN 3-21	26	39 1/4	7 1/8	4 3/8	88
SRN 3-23	27 3/8	40 5/8	7 1/8	4 3/8	90
SRN 3-25	28 3/4	42	7 1/8	4 3/8	92

Performance table

Model	KW	HP	Amp.	m ³ /h US GPM	0	1.6	2	2.4	2.8	3.2	3.6	4
					0	9	9	11	12	14	16	18
SRN 3-2	0.24	1/3	0.55	Head (Mtr.)	19	18	18	17	16	15	14	13
SRN 3-3	0.37	1/2	0.78		29	27	26	25	24	23	21	20
SRN 3-4	0.55	3/4	1.2		38	36	35	34	32	31	28	26
SRN 3-5	0.55	3/4	1.2		48	45	44	42	40	38	35	33
SRN 3-6	0.75	1	1.7		57	54	53	50	48	46	42	39
SRN 3-7	1.1	1 1/2	2.3		67	63	61	59	56	53	49	46
SRN 3-8	1.1	1 1/2	2.3		76	72	70	67	64	61	56	52
SRN 3-9	1.1	1 1/2	2.3		86	81	79	76	72	69	63	59
SRN 3-10	1.5	2	2.7		95	90	88	84	80	76	71	65
SRN 3-11	1.5	2	2.7		105	99	96	92	88	84	78	72
SRN 3-12	1.5	2	2.7		114	108	105	101	96	92	85	78
SRN 3-13	2.2	3	4.25		124	117	114	109	104	99	92	85
SRN 3-15	2.2	3	4.25		143	135	131	126	120	114	106	98
SRN 3-17	2.2	3	4.25		162	154	149	143	136	130	120	111
SRN 3-19	2.2	3	4.25		181	172	166	160	152	145	134	124
SRN 3-21	3.7	5	7		200	190	184	176	168	160	148	137
SRN 3-23	3.7	5	7		219	208	201	193	184	175	162	150
SRN 3-25	3.7	5	7		238	226	219	210	201	191	176	163

- This performance Table is approximate as a preformation curve.
- Technical change without notice.