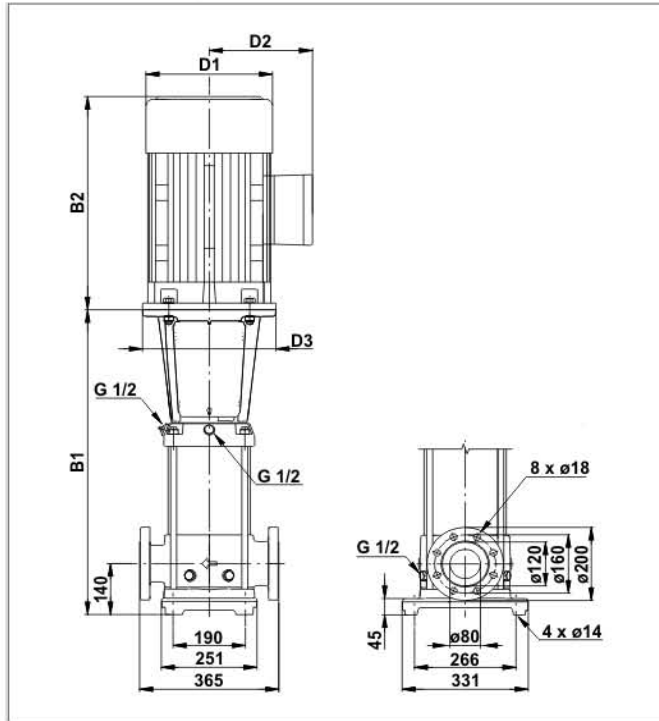


Dimensional, Sketch & Performance



Dimensions and weights

Model	Size in Inch				Weight (lbs)
	B1	B1+B2	D1	D2	
SRN 45-1-1	22	37 5/8	8 3/4	5 3/8	281
SRN 45-1	22	37 5/8	8 3/4	5 3/8	281
SRN 45-2-2	29 1/2	46 1/8	10 3/8	8 3/4	387
SRN 45-2-1	29 1/2	46 1/8	10 3/8	8 3/4	387
SRN 45-2	29 1/2	46 1/8	10 3/8	8 3/4	387
SRN 45-3-2	32 5/8	49	10 3/8	8 3/4	569
SRN 45-3-1	32 5/8	52 3/8	13	9 1/2	622
SRN 45-3	32 5/8	52 3/8	13	9 1/2	622
SRN 45-4-2	35 3/4	58 3/4	15 3/8	13 1/8	809
SRN 45-4-1	35 3/4	58 3/4	15 3/8	13 1/8	809
SRN 45-4	35 3/4	58 3/4	15 3/8	13 1/8	809
SRN 45-5-2	39	62	15 3/8	13 1/8	863
SRN 45-5-1	39	62	15 3/8	13 1/8	863
SRN 45-5	39	62	15 3/8	13 1/8	863
SRN 45-6-2	42 1/8	69 3/4	17	14 1/8	929
SRN 45-6	42 1/8	69 3/4	17	14 1/8	929
SRN 45-7-2	45 1/4	72 7/8	17	14 1/8	938
SRN 45-7	45 1/4	72 7/8	19	15	1113
SRN 45-8-1	48 3/8	79	19	15	1113

Performance table

Model	KW	HP	Amp.	m ³ /h US GPM	0	25	30	35	40	45	50	55
					0	110	132	154	176	198	220	242
SRN 45-1-1	5.5	7 1/2	10.8	Head (Mtr.)	31	30	29	29	27	26	24	22
SRN 45-1	5.5	7 1/2	10.8		37	37	36	35	34	32	31	29
SRN 45-2-2	11	15	17		60	61	60	58	56	53	50	46
SRN 45-2-1	11	15	17		68	67	65	64	62	58	55	51
SRN 45-2	11	15	17		74	73	72	70	68	65	62	58
SRN 45-3-2	15	20	23		97	97	95	92	89	85	80	74
SRN 45-3-1	18.5	25	28.5		104	103	101	98	95	90	85	79
SRN 45-3	18.5	25	28.5		111	110	108	105	101	97	92	86
SRN 45-4-2	22	30	34		133	134	131	128	123	117	110	102
SRN 45-4-1	22	30	34		141	141	139	135	131	124	118	110
SRN 45-4	22	30	34		148	146	144	140	135	130	123	115
SRN 45-5-2	30	40	45		170	172	169	164	158	151	143	133
SRN 45-5-1	30	40	45		178	177	174	170	164	157	148	139
SRN 45-5	30	40	45		185	183	180	175	169	162	154	144
SRN 45-6-2	37	50	55		207	208	205	200	193	184	173	162
SRN 45-6	37	50	55		213	215	212	206	199	190	181	168
SRN 45-7-2	37	50	55		222	220	216	210	203	194	185	173
SRN 45-7	45	60	67		243	249	245	238	230	220	208	195
SRN 45-8-1	45	60	67	251	255	251	245	237	226	214	200	

- This performance Table is approximate as a preformation curve.
- Technical change without notice.