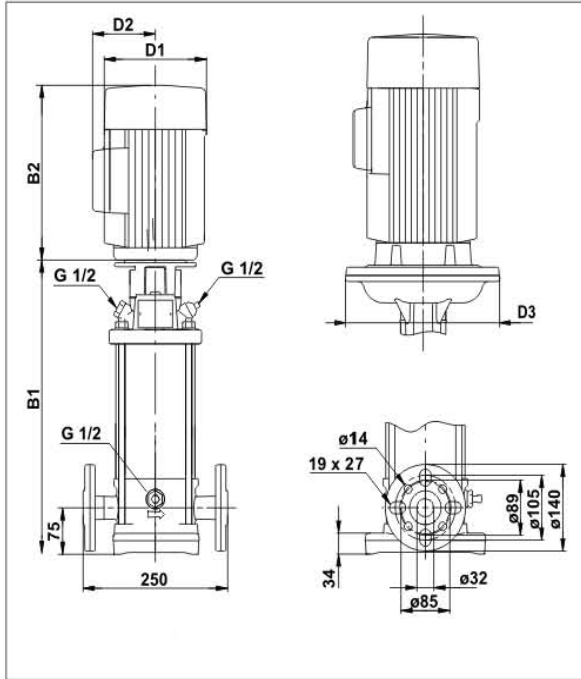


Dimensional, Sketch & Performance



Dimensions and weights

| Model | Size in Inch | | | | Weight (lbs) |
|----------|--------------|--------|-------|-------|--------------|
| | B1 | B1+B2 | D1 | D2 | |
| SRN 5-2 | 12 1/8 | 19 3/4 | 5 5/8 | 4 5/8 | 55 |
| SRN 5-3 | 13 1/4 | 22 1/8 | 5 5/8 | 4 5/8 | 55 |
| SRN 5-4 | 14 1/4 | 23 1/8 | 5 5/8 | 4 5/8 | 61 |
| SRN 5-5 | 15 3/8 | 24 1/4 | 5 5/8 | 4 5/8 | 63 |
| SRN 5-6 | 16 3/8 | 27 7/8 | 7 1/8 | 4 3/8 | 79 |
| SRN 5-7 | 17 1/2 | 29 | 7 1/8 | 4 3/8 | 80 |
| SRN 5-8 | 19 5/8 | 31 3/8 | 7 1/8 | 4 3/8 | 83 |
| SRN 5-9 | 20 5/8 | 32 3/8 | 7 1/8 | 4 3/8 | 84 |
| SRN 5-10 | 21 3/4 | 33 1/2 | 7 1/8 | 4 3/8 | 84 |
| SRN 5-11 | 22 3/4 | 36 | 7 1/8 | 4 3/8 | 83 |
| SRN 5-12 | 23 7/8 | 37 1/8 | 7 1/8 | 4 3/8 | 84 |
| SRN 5-13 | 24 7/8 | 38 1/8 | 7 1/8 | 4 3/8 | 86 |
| SRN 5-14 | 26 | 39 1/4 | 7 1/8 | 4 3/8 | 88 |
| SRN 5-15 | 27 | 40 1/4 | 7 1/8 | 4 3/8 | 89 |
| SRN 5-16 | 28 1/8 | 41 3/8 | 7 1/8 | 4 3/8 | 90 |
| SRN 5-18 | 30 5/8 | 46 1/4 | 8 3/4 | 5 3/8 | 156 |
| SRN 5-20 | 32 3/4 | 48 3/8 | 8 3/4 | 5 3/8 | 159 |
| SRN 5-22 | 34 7/8 | 50 1/2 | 8 3/4 | 5 3/8 | 161 |
| SRN 5-24 | 37 | 52 5/8 | 8 3/4 | 5 3/8 | 166 |

Performance table

| Model | KW | HP | Amp. | m ³ /h US GPM | 0 | 2 | 3 | 4 | 5 | 6 | 7 | 8 |
|----------|------|-------|------|-----------------------------|-----|-----|-----|-----|-----|-----|-----|-----|
| | | | | | 0 | 9 | 13 | 18 | 22 | 26 | 31 | 35 |
| SRN 5-2 | 0.55 | 3/4 | 1.2 | Head (Mtr.) | 20 | 19 | 19 | 18 | 17 | 16 | 15 | 13 |
| SRN 5-3 | 0.75 | 1.0 | 1.7 | | 29 | 29 | 28 | 27 | 26 | 24 | 22 | 20 |
| SRN 5-4 | 1.1 | 1 1/2 | 2.3 | | 39 | 38 | 38 | 36 | 34 | 32 | 29 | 26 |
| SRN 5-5 | 1.1 | 1 1/2 | 2.3 | | 49 | 48 | 47 | 45 | 43 | 40 | 37 | 33 |
| SRN 5-6 | 1.5 | 2.0 | 2.7 | | 59 | 58 | 56 | 54 | 52 | 48 | 44 | 39 |
| SRN 5-7 | 1.5 | 2.0 | 2.7 | | 69 | 67 | 66 | 63 | 60 | 56 | 51 | 46 |
| SRN 5-8 | 2.2 | 3.0 | 4.25 | | 78 | 77 | 75 | 72 | 69 | 64 | 58 | 52 |
| SRN 5-9 | 2.2 | 3.0 | 4.25 | | 88 | 86 | 85 | 81 | 77 | 72 | 66 | 59 |
| SRN 5-10 | 2.2 | 3.0 | 4.25 | | 98 | 96 | 94 | 90 | 86 | 80 | 73 | 65 |
| SRN 5-11 | 3.7 | 5.0 | 7.0 | | 108 | 106 | 103 | 99 | 95 | 88 | 80 | 72 |
| SRN 5-12 | 3.7 | 5.0 | 7.0 | | 118 | 115 | 113 | 108 | 103 | 96 | 88 | 78 |
| SRN 5-13 | 3.7 | 5.0 | 7.0 | | 127 | 125 | 122 | 117 | 112 | 104 | 95 | 85 |
| SRN 5-14 | 3.7 | 5.0 | 7.0 | | 137 | 134 | 132 | 126 | 120 | 112 | 102 | 91 |
| SRN 5-15 | 3.7 | 5.0 | 7.0 | | 147 | 144 | 141 | 135 | 129 | 120 | 110 | 98 |
| SRN 5-16 | 3.7 | 5.0 | 7.0 | | 157 | 154 | 150 | 144 | 138 | 128 | 117 | 104 |
| SRN 5-18 | 5.5 | 7 1/2 | 10.8 | | 176 | 173 | 169 | 162 | 155 | 144 | 131 | 117 |
| SRN 5-20 | 5.5 | 7 1/2 | 10.8 | | 196 | 192 | 188 | 180 | 172 | 160 | 146 | 130 |
| SRN 5-22 | 5.5 | 7 1/2 | 10.8 | | 216 | 211 | 207 | 198 | 189 | 176 | 161 | 143 |
| SRN 5-24 | 5.5 | 7 1/2 | 10.8 | | 235 | 230 | 226 | 216 | 206 | 192 | 175 | 156 |

- This performance Table is approximate as a preformation curve.
- Technical change without notice.