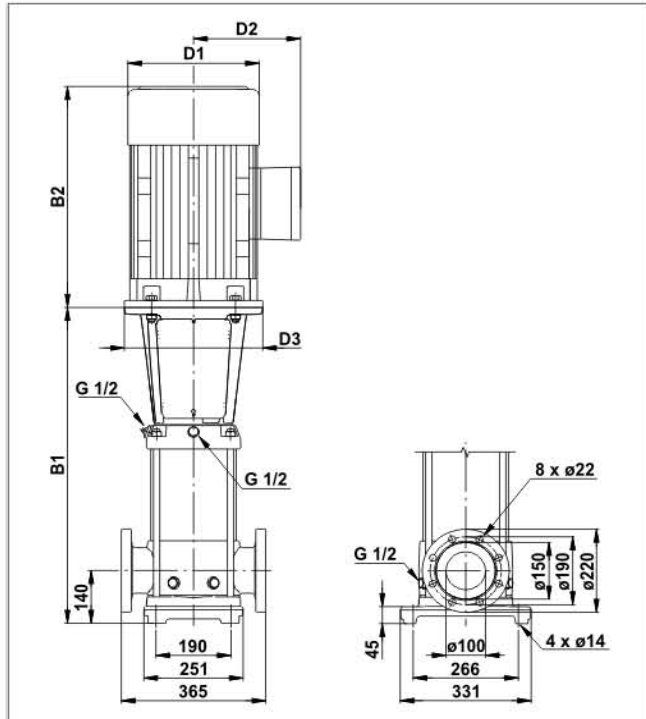


Dimensional, Sketch & Performance



Dimensions and weights

Model	Size in Inch				Weight (lbs)
	B1	B1+B2	D1	D2	
SRN 64-1-1	22 1/8	37 3/4	8 3/4	5 3/8	277
SRN 64-1	26 1/2	43 1/8	10 3/8	8 3/4	339
SRN 64-2-2	29 3/4	46 3/8	10 3/8	8 3/4	348
SRN 64-2-1	29 3/4	46 1/8	10 3/8	8 3/4	391
SRN 64-2	29 3/4	49 1/2	13	92/2	514
SRN 64-3-2	33	56	15 3/8	13 1/8	569
SRN 64-3-1	33	56	15 3/8	13 1/8	647
SRN 64-3	33	56	15 3/8	13 1/8	647
SRN 64-4-2	36 1/4	59 1/4	15 3/8	13 1/8	684
SRN 64-4-1	36 1/4	63 7/8	17	14 1/8	748
SRN 64-4	36 1/4	63 7/8	17	14 1/8	748
SRN 64-5-2	39 1/2	70 1/8	19	15	923

Performance table

Model	KW	HP	Amp.	m ³ /h US GPM	0	20	30	40	50	60	70	80
					0	88	132	176	220	264	308	352
SRN 64-1-1	5.5	7 1/2	10.8	Head (Mtr.)	32	31	30	29	27	26	23	20
SRN 64-1	11	15	17		44	42	41	40	38	37	35	32
SRN 64-2-2	11	15	17		59	59	59	58	56	52	47	41
SRN 64-2-1	15	20	23		74	72	70	68	65	62	57	52
SRN 64-2	18.5	25	28.5		87	85	83	80	77	73	69	64
SRN 64-3-2	22	30	34		101	100	99	97	93	88	81	73
SRN 64-3-1	30	40	45		116	114	112	109	105	100	93	86
SRN 64-3	30	40	45		131	127	124	120	115	110	104	96
SRN 64-4-2	30	40	45		144	143	141	139	134	127	118	108
SRN 64-4-1	37	50	55		158	156	153	149	144	137	128	118
SRN 64-4	37	50	55		175	169	165	160	153	147	139	128
SRN 64-5-2	45	60	67		179	185	185	182	177	169	158	145

- This performance Table is approximate as a preformation curve.
- Technical change without notice.