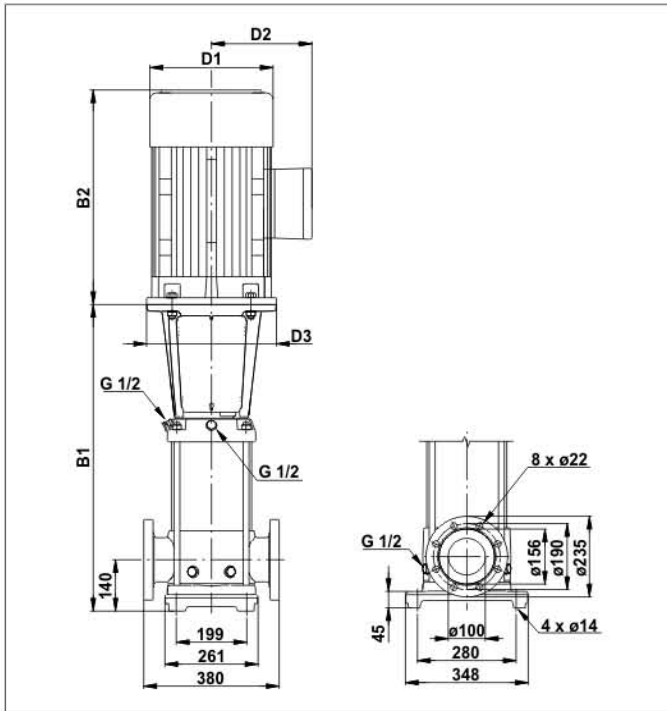


Dimensional, Sketch & Performance



Dimensions and weights

| Model | Size in Inch | | | | Weight (lbs) |
|------------|--------------|--------|--------|--------|--------------|
| | B1 | B1+B2 | D1 | D2 | |
| SRN 90-1-1 | 26 7/8 | 43 1/2 | 10 3/8 | 8 3/4 | 351 |
| SRN 90-1 | 26 7/8 | 43 1/2 | 10 3/8 | 8 3/4 | 351 |
| SRN 90-2-2 | 30 1/2 | 50 1/4 | 13 | 9 1/2 | 527 |
| SRN 90-2-1 | 30 1/2 | 53 1/2 | 15 3/8 | 13 1/8 | 573 |
| SRN 90-2 | 30 1/2 | 53 1/2 | 15 3/8 | 13 1/8 | 650 |
| SRN 90-3-2 | 34 1/8 | 57 1/8 | 15 3/8 | 13 1/8 | 660 |
| SRN 90-3-1 | 34 1/8 | 61 3/4 | 17 | 14 1/8 | 724 |
| SRN 90-3 | 34 1/8 | 61 3/4 | 17 | 14 1/8 | 752 |
| SRN 90-4-2 | 37 3/4 | 68 3/8 | 19 | 15 | 870 |
| SRN 90-4-1 | 37 3/4 | 68 3/8 | 19 | 15 | 870 |

Performance table

| Model | KW | HP | Amp. | m ³ /h US GPM | 0 | 50 | 60 | 70 | 80 | 90 | 100 | 110 |
|------------|--------|----|--------|-----------------------------|-----|-----|-----|-----|-----|-----|-----|-----|
| | | | | | 0 | 220 | 264 | 308 | 352 | 396 | 440 | 484 |
| SRN 90-1-1 | 11 | 15 | 17 | Head (Mtr.) | 39 | 32 | 31 | 30 | 28 | 26 | 24 | 20 |
| SRN 90-1 | 11 | 15 | 17 | | 51 | 43 | 42 | 40 | 38 | 36 | 34 | 32 |
| SRN 90-2-2 | 18 1/2 | 25 | 28 1/2 | | 70 | 65 | 63 | 60 | 57 | 53 | 48 | 42 |
| SRN 90-2-1 | 22 | 30 | 34 | | 175 | 151 | 146 | 140 | 133 | 124 | 115 | 106 |
| SRN 90-2 | 30 | 40 | 45 | | 101 | 87 | 83 | 80 | 77 | 72 | 68 | 63 |
| SRN 90-3-2 | 30 | 40 | 45 | | 119 | 108 | 104 | 100 | 96 | 90 | 83 | 75 |
| SRN 90-3-1 | 37 | 50 | 55 | | 135 | 118 | 114 | 109 | 104 | 98 | 92 | 84 |
| SRN 90-3 | 37 | 50 | 55 | | 152 | 130 | 125 | 120 | 115 | 108 | 102 | 95 |
| SRN 90-4-2 | 45 | 60 | 67 | | 168 | 152 | 147 | 142 | 135 | 127 | 118 | 108 |
| SRN 90-4-1 | 45 | 60 | 67 | | 180 | 160 | 154 | 148 | 142 | 135 | 127 | 115 |

- This performance Table is approximate as a preformation curve.
- Technical change without notice.